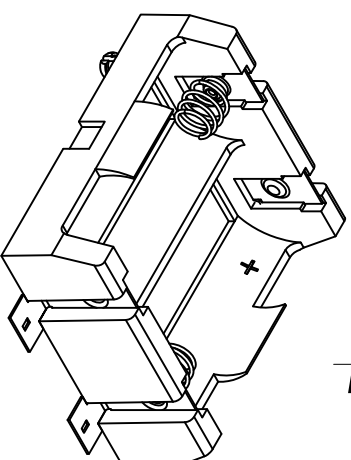
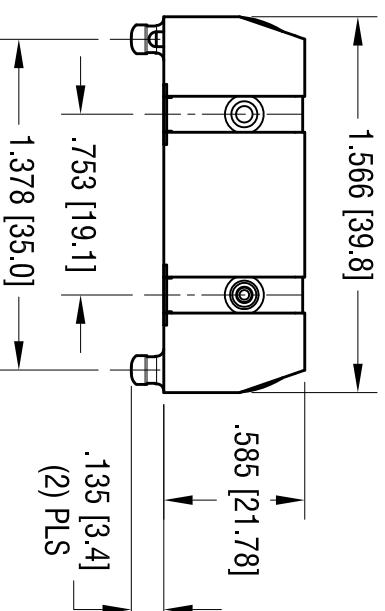
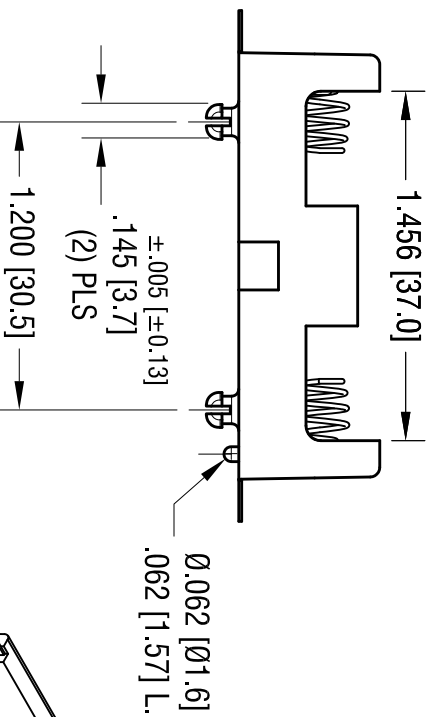
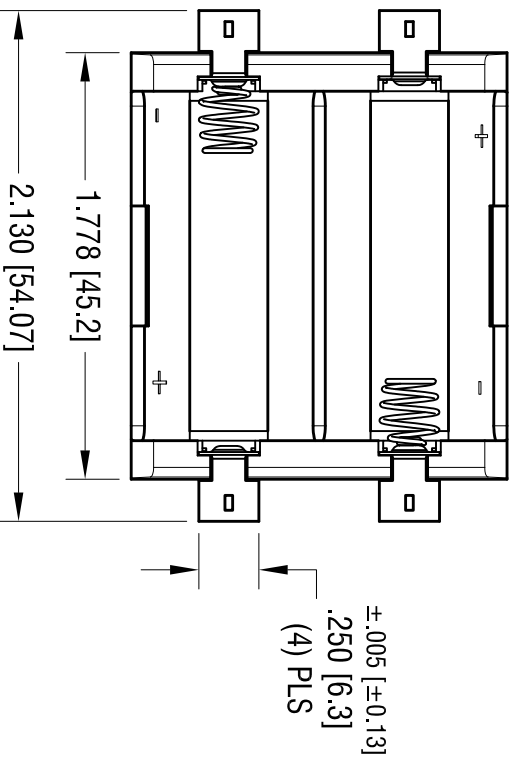
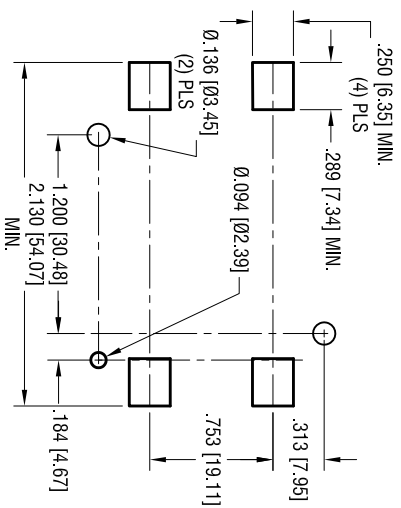


Mounting Pad Layout



ACTUAL SIZE

- NOTE:
1. BASE:
MATERIAL: HEAT RESISTANCE NYLON
STANLYL 46 OR EQUIVALENT
 2. CONTACT:
MATERIAL: .012 THK STAINLESS STEEL
SPRING: .020 DIA. MUSIC WIRE
SPRING EYELETED TO BASE
FINISH: GOLD FLASH, OVER NICKEL PLATE

DATE

DESCRIPTION

REV.

KEYSTONE ELECTRONICS CORP.

www.keystec.com • NEW HYDE PARK, NY 11040 • Tel (516) 328-7500

PART NAME

DUAL SM BATTERY HOLDER FOR (2) 18350

MATERIAL

AS NOTED

FINISH

AS NOTED

DRN BY

NT

DATE

7.08.19

APP'D

RH

SCALE

1.25X

TOLERANCES

INCH [MM]
DECIMAL ± 0.25 [± 0.13]

CODE

C

DWG NO.

1136

THIS DOCUMENT IS THE PROPERTY OF
KEYSTONE ELECTRONICS CORP. AND
SHALL NOT BE REPRODUCED, DISTRIBUTED
OR USED AS A BASIS FOR MANUFACTURE
WITHOUT PRIOR WRITTEN PERMISSION
FROM KEYSTONE ELECTRONICS CORP.